

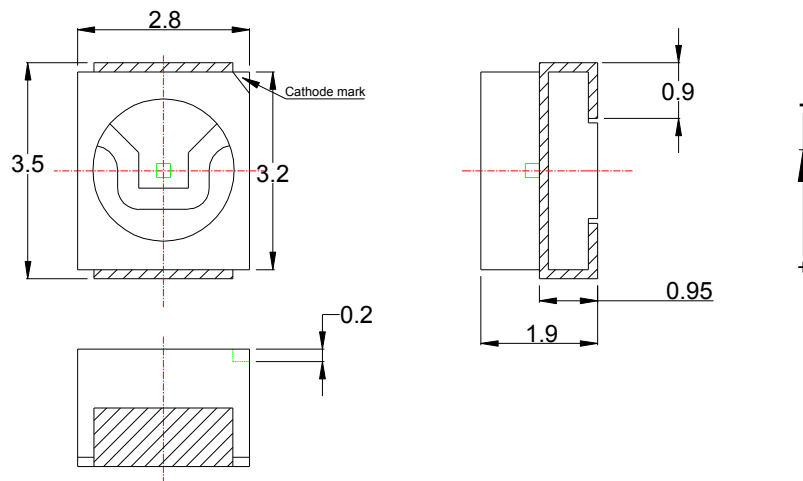


## TO-3228BC-BF Surface Mount Device LED

### Features

- IC compatible.
- Compatible with automatic placement equipment.
- Compatible with infrared and vapor phase Reflow solder process.
- Top View TYPE.
- Package in 8mm tape on 7" diameter reel.
- Lead-Free Package (According to RoHS).

### Package Dimensions



### Note:

1. All dimensions are in millimeters.
2. Tolerance is  $\pm 0.1$ mm unless otherwise noted.

**Absolute Maximum Ratings at T<sub>A</sub>=25°C**

Parameter	Maximum Rating	Unit
Peak Forward Current (1/10 Duty Cycle, 0.1ms Pulse Width)	80	mA
Power Dissipation	105	mW
Continuous Forward Current	25	mA
Reverse Voltage	5	V
Operating Temperature Range	-55°C to +85°C	
Storage Temperature Range	-55°C to +105°C	
IR Reflow Soldering Profile For Lead Free Soldering	260°C	

**Electrical / Optical Characteristics at T<sub>A</sub>=25°C**

Parameter	Symbol	Min.	Typ.	Max.	Unit	Test Condition
Luminous Intensity	I <sub>v</sub>	146		321	mcd	I <sub>F</sub> =20mA
Viewing Angle	2θ <sub>1/2</sub>		140		deg	I <sub>F</sub> =20mA
Dominant Wavelength	λ <sub>d</sub>		468		nm	I <sub>F</sub> =20mA
Spectral Line Half-Width	Δλ		26		nm	I <sub>F</sub> =20mA
Forward Voltage	V <sub>F</sub>		3.2	3.4	V	I <sub>F</sub> =20mA
Reverse Current	I <sub>R</sub>			10	μA	V <sub>R</sub> =5V



**BIN CODE LIST**

Luminous Intensity		Unit: mcd@20mA	
Bin Code	Min	Max	
F1	146	190	
F2	190	247	
F3	247	321	

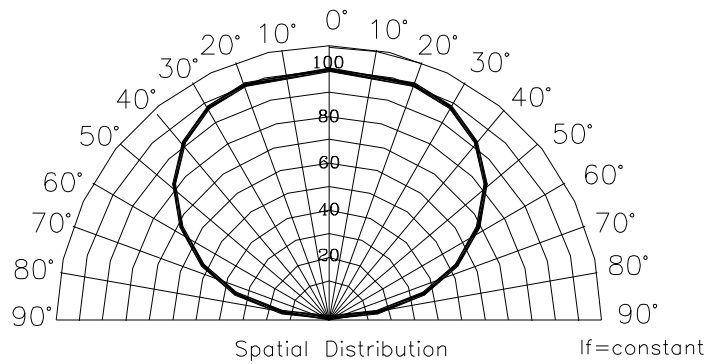
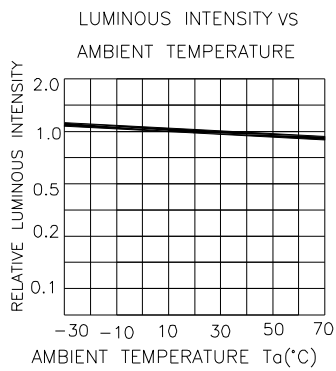
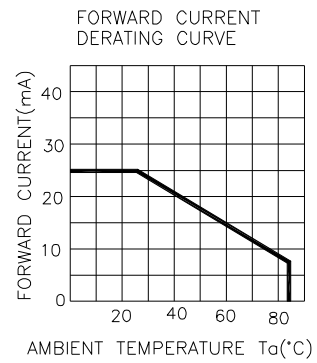
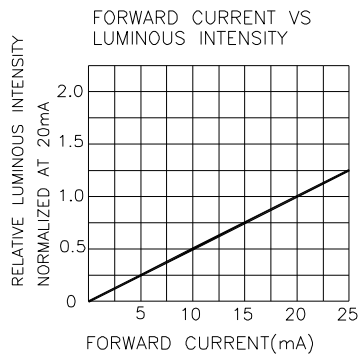
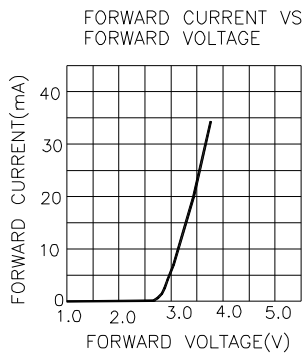
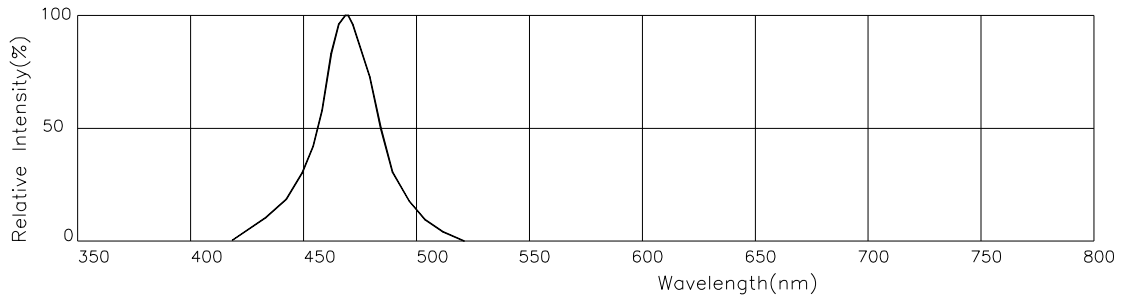
Tolerance on each Intensity Bin is  $\pm 15\%$

Dominant Wavelength		Unit: nm@20mA	
Bin Code	Min	Max	
464466	464	466	
466468	466	468	
468470	468	470	
470472	470	472	
472474	472	474	

Tolerance for each Dominate Wavelength Bin is  $\pm 1\text{nm}$



## Typical Electrical / Optical Characteristics Curves



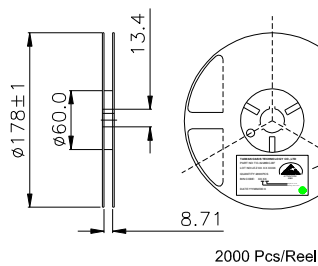
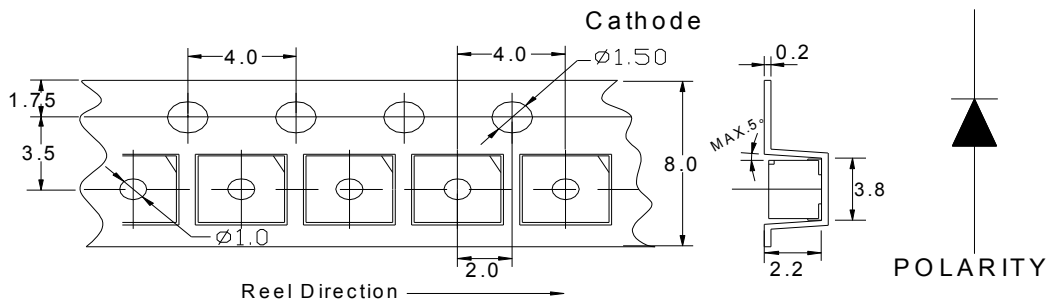


# TAIWAN OASIS

Http://www.taiwanoasis.com.tw

# Technical Data

## Package Dimensions of Tape and Reel (Units: mm)



<b>TAIWAN OASIS TECHNOLOGY CO.,LTD</b>	
PART NO:TO-3228BC-BF	
LOT NO:LEZXX XX XXXX	
QUANTITY:2000PCS	
BIN CODE: XX XX	
DATE:YY/MM/DD X	

ATTENTION: static

RoHS

